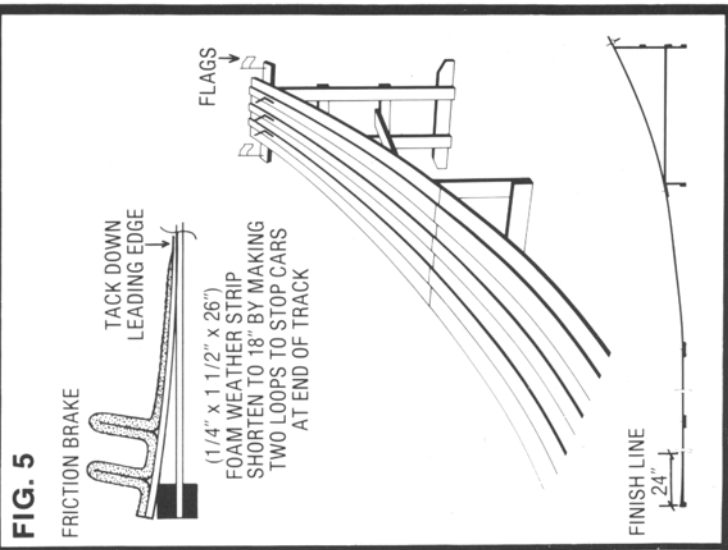
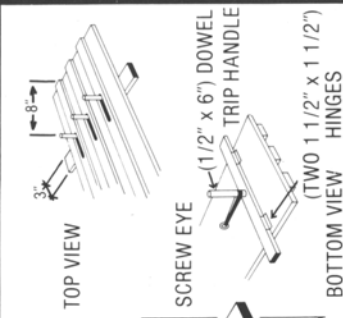
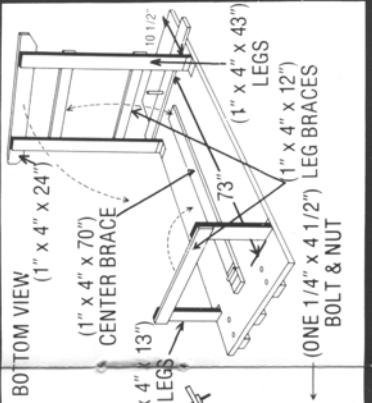
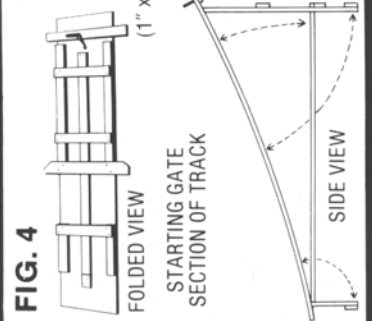
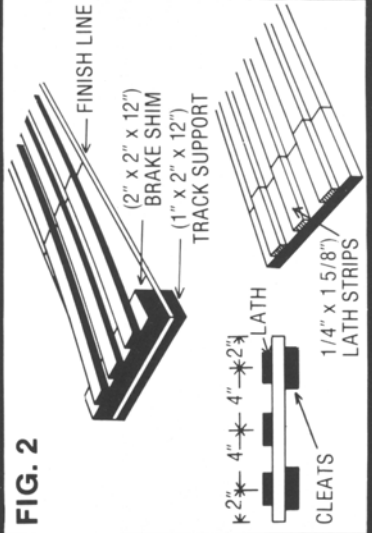
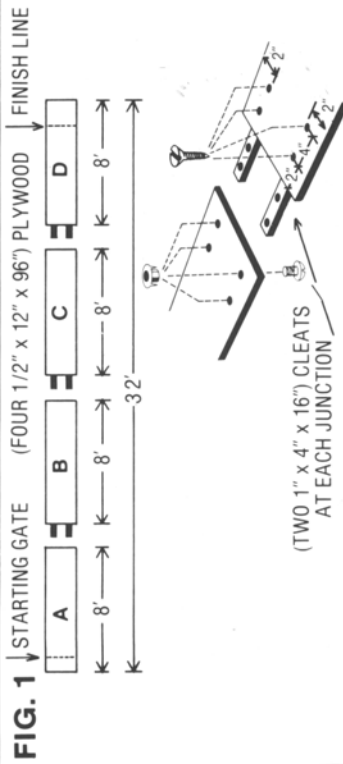


PINECAR DERBY RECOMMENDED 3-LANE TRACK PLAN

Carefully read all instructions and study the Plans and Bill of Materials before purchasing supplies or beginning construction. The materials listed below are commonly available at most lumber and hardware stores. If you do not have the tools required, most lumber yards will cut wood to the sizes you need. To construct tracks with more than three lanes, expand plans and materials accordingly.

Qty. BILL OF MATERIALS

Qty.	Description
LUMBER	
1	4' x 8', 1/2" plywood, cut to: 4 sheets 11 15/16" x 96" (track bed)
12	8' x 1/4" x 1 5/8" lath (guide strips)
3	8' x 1" x 4" pine:
	1, cut to: (6) 16" (cleats)
	1, cut to: (1) 70" (center brace), (2) 13" (legs)
	1, cut to: (2) 43" (legs), (1) 4" (center brace block)
1	5' x 1" x 4" pine, cut to: (3) 12", (1) 24" (leg braces)
1	4' x 1" x 4" pine, cut to: (1) 18" (starting gate), and (1) 12" (end track support)
1	2" x 2" x 12" pine (brake shim)
1	1/4" dowel, cut to: (3) 3 1/2" (starting gate)
1	1/2" dowel, cut to: (1) 6" (starting gate handle)



- HARDWARE**
- 1 1/4" x 4 1/2" round-head stove bolts, washers, wing nuts
 - 7 1/2" x 1 1/2" hinges, loose-pin, screws
 - 3/8" inside diameter screw eye
 - 30 1/4" No. 10, flat-head wood screws
 - 12 1/4" T-nuts & 1/4" x 1 1/4" round-head stove bolts
 - 1 Box, 1/2" brads
 - 1 Bottle, White Glue
 - 3 4" heavy rubber bands
 - 1 1/4" x 1 1/2" x 78" adhesive-backed foam weather strip, cut to: (3) 26" (friction brakes)

ASSEMBLING & CONSTRUCTING TRACK

NOTE: During track assembly, in addition to screws, use white glue between all permanently-attached wood parts in each track section.

Assemble Plywood Track Bed (See Fig. 1):

- Attach 2 wood cleats to one end of 3 plywood sections (B, C, and D) with 1 1/4" No. 10 flat head wood screws and white glue. Position the holes for the screws 2" from the edge of the plywood.
- Lay plywood sections end-to-end and drill two holes through each cleat and plywood section. Insert 1/4" T-nuts from top side of track.